



MODEL #:
MBC01 - PEWTER

NOTE:

THIS INSTRUCTION BOOKLET CONTAINS
IMPORTANT SAFETY INFORMATION.
PLEASE READ AND KEEP FOR
FUTURE REFERENCE.

DATE OF PURCHASE:

____ / ____ / ____

CORSICO METAL SINGLE CRIB



RECEIPT OF PURCHASE:



DO NOT RETURN PRODUCT TO THE STORE.
If a part is missing or damaged, contact our
customer service department. We will replace the
part **FREE** of charge.



Tel #: 1-800-295-1980
E-Mail: csr@jardcoent.com
Fax #: 514-353-7819

CUSTOMER SERVICE

If you are missing parts or have any questions about this product, contact our customer service representative first!

 **CALL 1-800-295-1980**

You can also order parts by writing to the address listed below. Please include the product model number, color and a detailed description of the part.

**Customer Service Department No. 413
12345 Albert-Hudon Boulevard, Suite 100
Montreal, Quebec
Canada H1G 3L1**

E-MAIL: csr@jardcoent.com



WARNING

- * Failure to follow these warnings and assembly instructions could result in serious injury or death.
- * Read all instructions before assembling crib. **KEEP INSTRUCTIONS FOR FUTURE USE.**
- * Before each usage or assembly, inspect crib for damaged hardware, loose joints, missing parts or sharp edges, **DO NOT** use crib if any parts are missing or broken. Ask your dealer or write to our customer service representative (address & phone number shown above) for replacement parts and instructional literature if needed. **DO NOT** substitute parts.
- * Infants can suffocate on soft bedding. Never add a pillow or comforter. Never place additional padding under an infant.
- * When child is able to climb out or reaches the height of 35 inches (90 cm), the crib shall no longer be used.
- * To reduce the risk of SIDS, pediatricians recommend healthy infants be placed on their backs to sleep, unless otherwise advised by your physician.
- * **DO NOT** place crib near window where cords from blinds or drapes may strangle a child.
- * Strings can cause strangulation! **DO NOT** place crib with a string around a child's neck, such as hood strings or pacifier cords. **DO NOT** suspend strings over a crib or attach strings to toys.
- * To help prevent strangulation tighten all fasteners. A child can trap parts of the body or clothing on loose fasteners.
- * If refinishing, use a non-toxic finish specified for children's products.
- * When child is able to pull to standing position, set mattress to lowest position and remove bumper pads, large toys and other objects that could serve as steps for climbing out.
- * Never use plastic shipping bags or other plastic film as mattress covers because they can cause suffocation.
- * **DO NOT** use a water mattress with this crib.
- * Replace teething rail if damaged or loose (if teething rail is provided for this model).
- * **CAUTION: ANY MATTRESS USED IN THIS CRIB MUST BE AT LEAST 27-1/4 INCHES BY 51-5/8 INCHES (69CM BY 131CM) WITH A MINIMUM THICKNESS OF 4 INCHES (10CM) BUT NOT EXCEEDING 6 INCHES (15CM).**
- * Infants can suffocate in gaps between crib sides and a mattress that is too small.
- * Follow warnings on all products in a crib.

NOTES

- * Ensure all parts and components are present before beginning assembly.
- * Assemble on soft, smooth surface to prevent damage to product finish.
- * Phillips head screw driver is not included.
- * **DO NOT** use power tools.
- * **CAUTION: Adult assembly required.**
- * Assembly will require two people.



WARNING: Should this product become damaged, and/or components are broken or missing, DO NOT USE.

CARE AND CLEANING

Dust regularly with a soft, lint-free cloth to prevent soil build-up. A damp cloth may be used occasionally to clean surface. Dry immediately. Do not use any abrasives that may damage finish. Excessive exposure to sunlight and extreme changes in temperature and moisture can damage wood furniture.

If the crib is to be stored, store in cool dry place and carefully package all original hardware to protect from loss.

MAINTENANCE

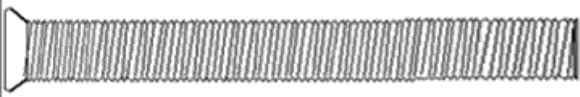



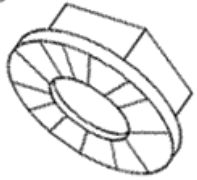


Check bolts/screws periodically and tighten them if necessary.

LIMITED WARRANTY



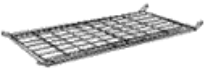



Jardine Enterprise warrants its product to be free from defects in material and workmanship and agrees to remedy any such defect. This warranty covers 1 year from the date of original purchase. This warranty is valid only upon presentation of proof of purchase. This is solely limited to the repair or replacement of defective furniture components and no assembly labor is included. This warranty does not apply to any product which has been improperly assembled, subjected to misuse or abuse or which has been altered or repaired in any way. This warranty gives you specific legal rights and you may also have other rights which vary from State to State.

CORSICO METAL SINGLE CRIB MBC01

HARDWARE LIST

<div style="border: 1px solid black; padding: 2px; width: 20px; margin: 0 auto;">1</div>  <p style="text-align: center;">$\varnothing 1/4" \times 2-3/4"$</p> <p style="text-align: center;">COUNTERSINK BOLT 8 PCS</p>	<div style="border: 1px solid black; padding: 2px; width: 20px; margin: 0 auto;">2</div>  <p style="text-align: center;">4mm</p> <p style="text-align: center;">ALLEN KEY 1 PC</p>	<div style="border: 1px solid black; padding: 2px; width: 20px; margin: 0 auto;">3</div>  <p style="text-align: center;">$\varnothing 1/4" \times 5/8"$</p> <p style="text-align: center;">BOLT 16 PCS</p>	<div style="border: 1px solid black; padding: 2px; width: 20px; margin: 0 auto;">4</div>  <p style="text-align: center;">RUBBER CAP 8 PCS</p>
<div style="border: 1px solid black; padding: 2px; width: 20px; margin: 0 auto;">5</div>  <p style="text-align: center;">$\varnothing 1/4"$</p> <p style="text-align: center;">HEX NUT 4 PCS</p>	<div style="border: 1px solid black; padding: 2px; width: 20px; margin: 0 auto;">6</div>  <p style="text-align: center;">HEX WRENCH 1 PC</p>	<div style="border: 1px solid black; padding: 2px; width: 20px; margin: 0 auto;">7</div>  <p style="text-align: center;">$\varnothing 1/4" \times 5/8"$</p> <p style="text-align: center;">ALLEN HEAD BOLT 4 PCS</p>	

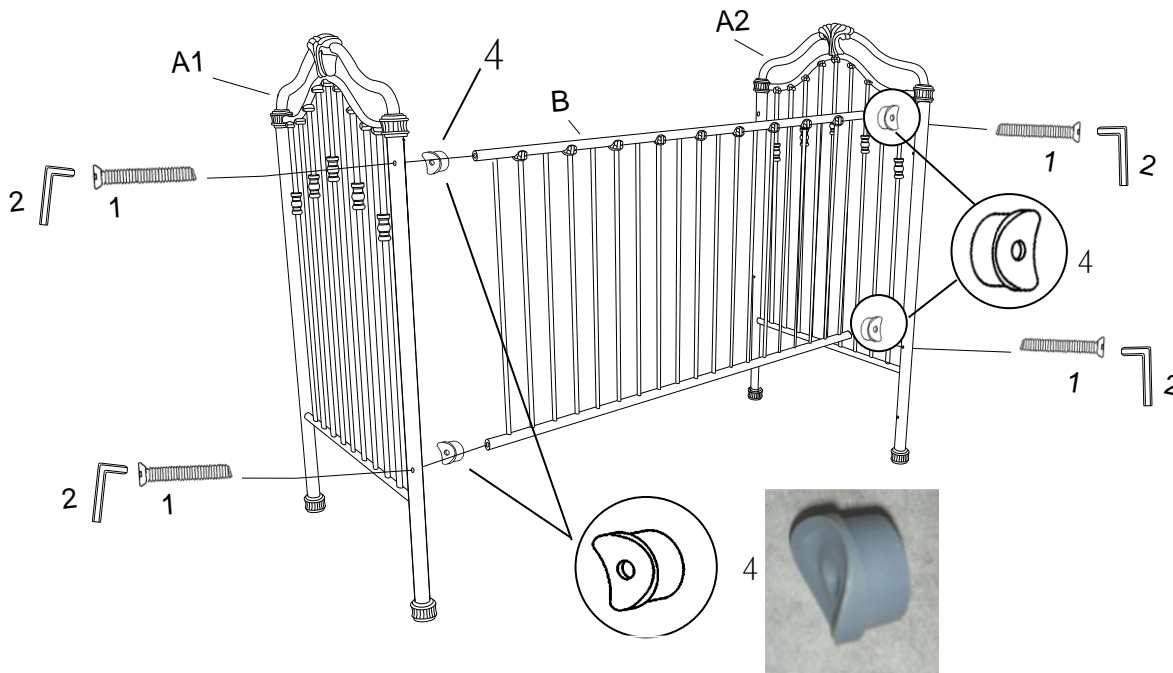
PARTS LIST

<div style="border: 1px solid black; padding: 2px; width: 20px; margin: 0 auto;">A1</div>  <p style="text-align: center;">LEFT END PANEL 1 PC</p>	<div style="border: 1px solid black; padding: 2px; width: 20px; margin: 0 auto;">B</div>  <p style="text-align: center;">STATIONARY SIDE 2 PCS</p>	<div style="border: 1px solid black; padding: 2px; width: 20px; margin: 0 auto;">C</div>  <p style="text-align: center;">MATTRESS SUPPORT 1 PC</p>	<div style="border: 1px solid black; padding: 2px; width: 20px; margin: 0 auto;">D</div>  <p style="text-align: center;">LEFT RIGHT</p> <p style="text-align: center;">CONNECTING PLATE 2 PCS</p>	<div style="border: 1px solid black; padding: 2px; width: 20px; margin: 0 auto;">E</div>  <p style="text-align: center;">STABILIZING BAR 1 PC</p>
<div style="border: 1px solid black; padding: 2px; width: 20px; margin: 0 auto;">A2</div>  <p style="text-align: center;">RIGHT END PANEL 1 PC</p>				

CORSICO METAL SINGLE CRIB

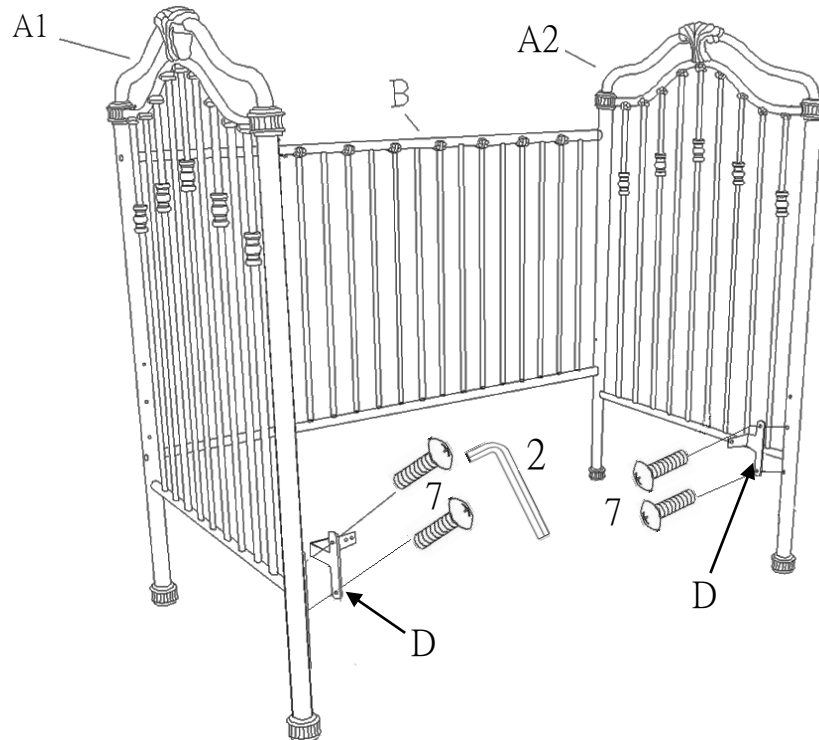
MBC01

NOTE: When inserting bolts, turn clockwise until tight, then loosen 1/2 of a turn. After crib is completely assembled, return to each bolt and tighten. Use wax or soap on all bolts to facilitate



STEP 1

Attach left end panel (A1) and right end panel (A2) to stationary side (B) and rubber caps (4) with countersink bolts (1). Use Allen key (2) to tighten bolts.



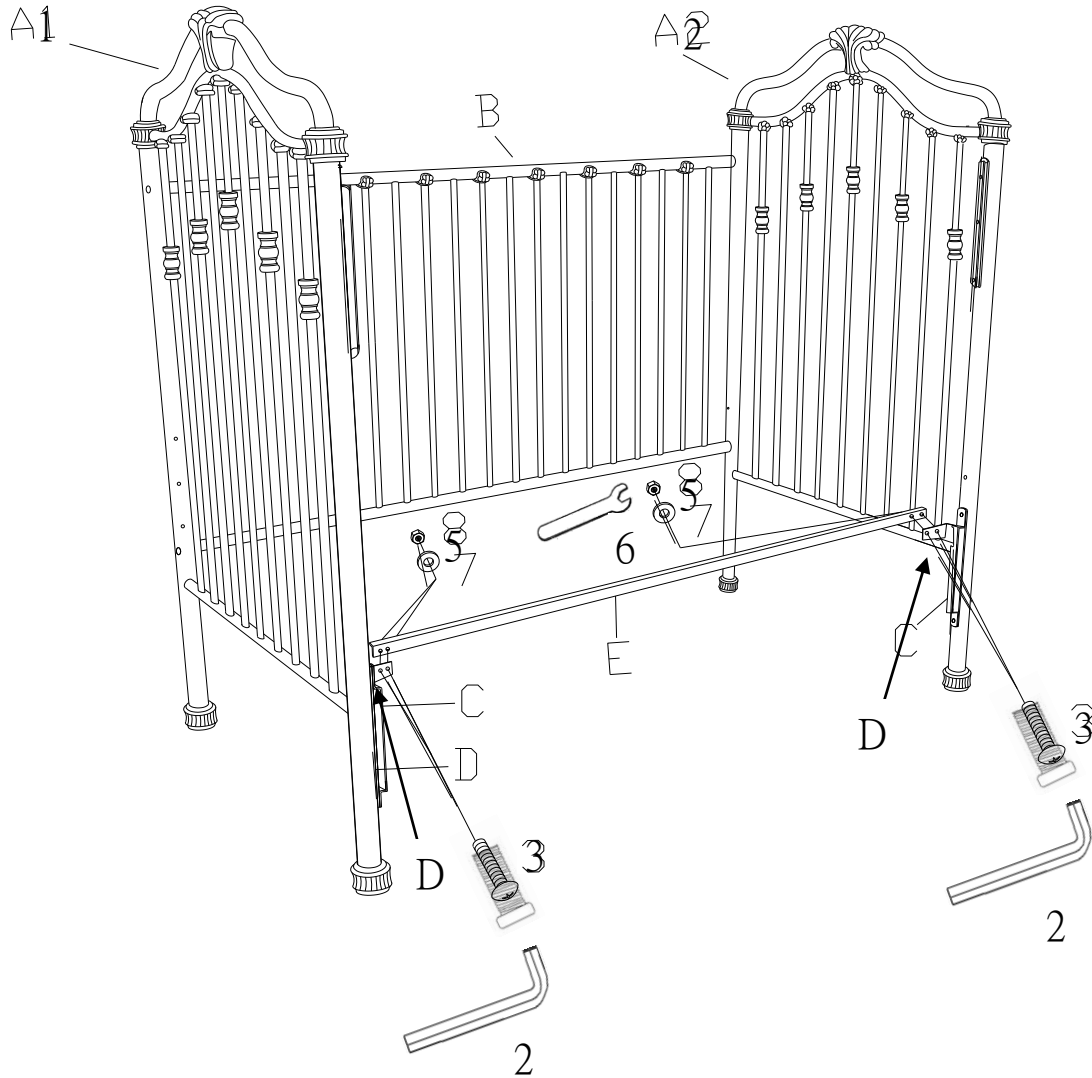
STEP 2

Attach connecting plate (D) to the left and right end panels (A1 & A2) with Allen head bolt (7). Use Allen key (2) to tighten bolts.

CORSICO METAL SINGLE CRIB MBC01

STEP 3

Attach stabilizing bar (E) to the connecting plate (D) with bolts (3) and hex nuts (5). Use Allen key (2) and hex wrench (6) to tighten bolts (3) and nuts (5).



CORSICO METAL SINGLE CRIB MBC01

STEP 4

Attach mattress support (C) to the posts using bolts (3). Use Allen key (2) to tighten bolts.



INCORRECT

Raised edge should face down - this photo show mattress support is upside down



INCORRECT

Tabs on corners of mattress support should point up



CORRECT

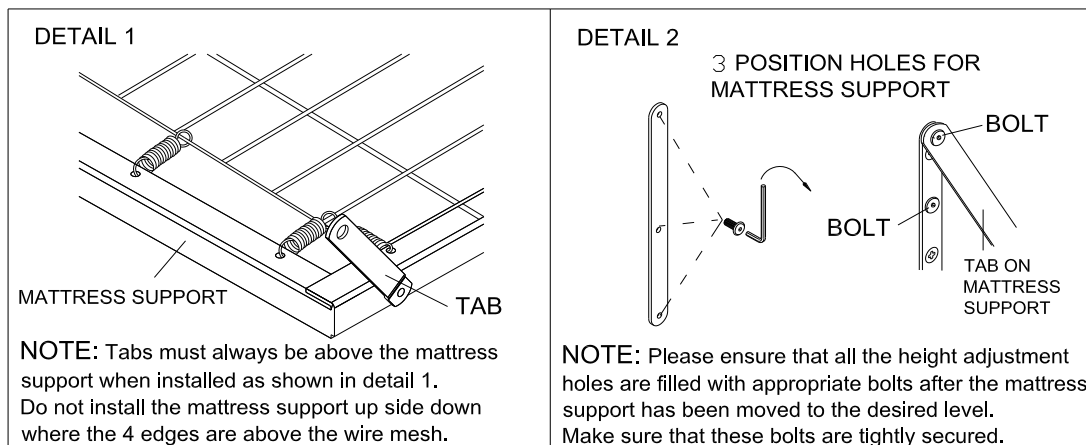
Tab to point up

Flat surface of mattress support to face up - mattress must sit on flat surface

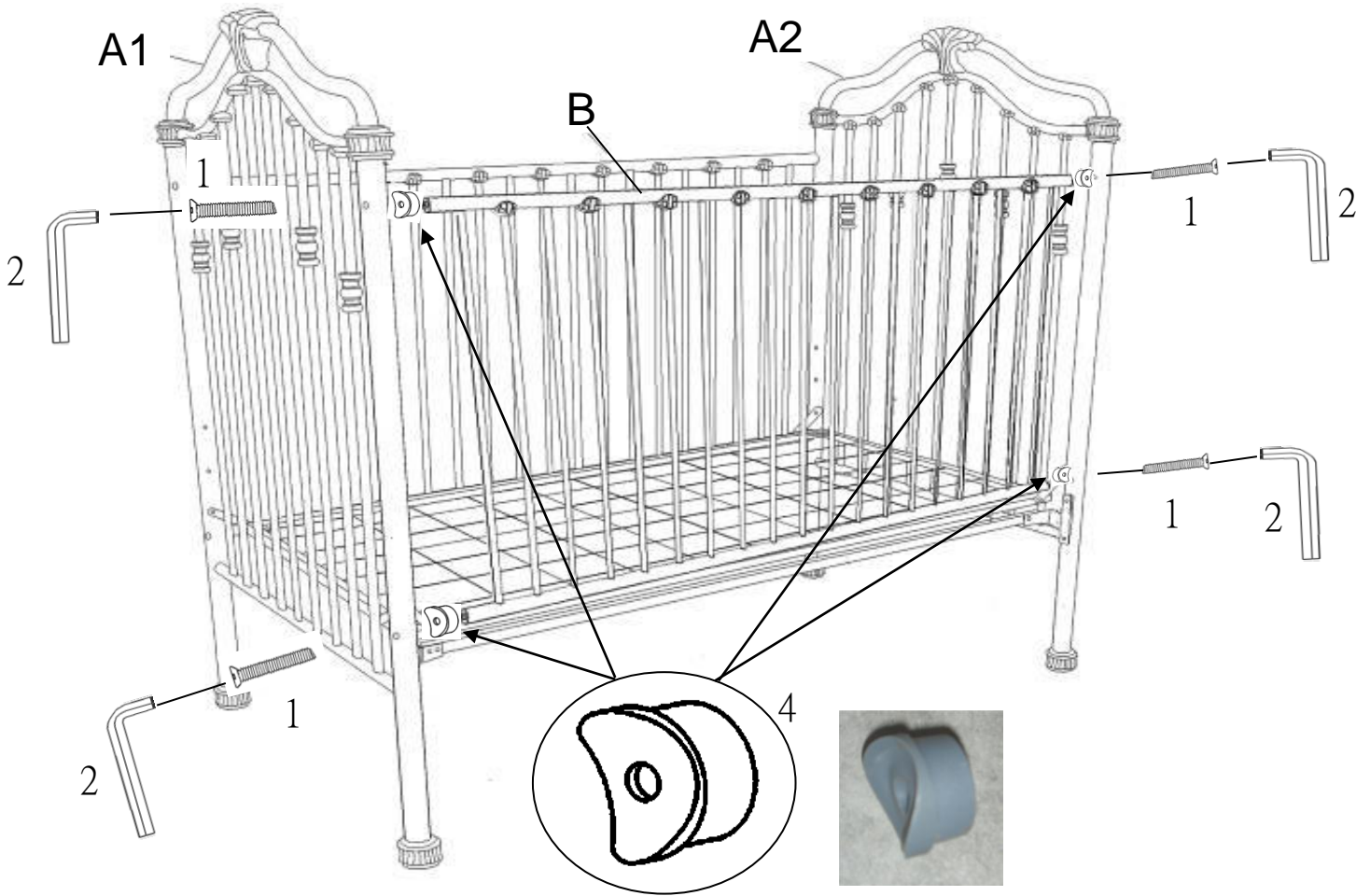
NOTE: Photos are to demonstrate how the Mattress support should be installed.

NOTE:

Ensure the flat side of the mattress support is facing up. The mattress must sit on the mattress support and not inside the recessed edges.



CORSICO METAL SINGLE CRIB MBC01



STEP 5

Attach stationary side (B) and rubber caps (4) to the left and right end panels (A1 & A2) with countersink bolts (1). Use Allen key (2) to tighten bolts.