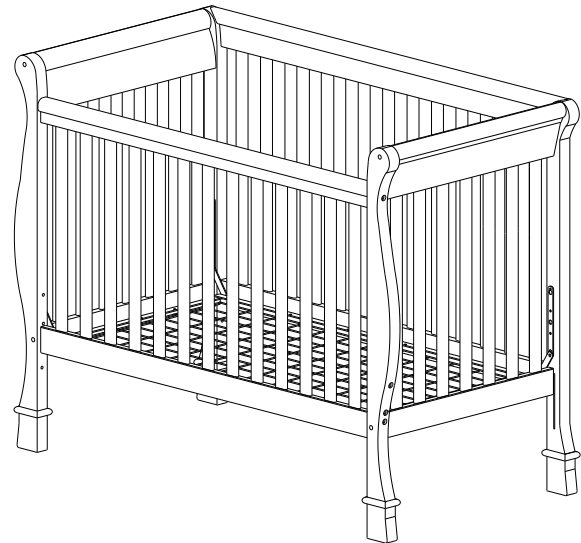




OLYMPIA 4 IN 1 CRIB



MODEL #:

0302C00 / 0302C00(GRW)	WHITE
0302P00 / 0302P00(GRW)	BLACK
DA715BC / DA715BC(GRW)	DARK PINE
DA715BC-N / DA715BC-N(GRW)	NATURAL

NOTE:

This instruction booklet contains IMPORTANT safety information. Please read and keep for future reference.

DATE OF PURCHASE:

____ / ____ / ____

RECEIPT OF PURCHASE:



DO NOT RETURN PRODUCT TO THE STORE.

If a part is missing or damaged, contact our customer service department. We will replace the part **FREE** of charge.



Tel #: 1-800-295-1980
E-Mail: csr@jardcoent.com
Fax #: 514-353-7819

CUSTOMER SERVICE

If you are missing parts or have any questions about this product, contact our customer service representative first!



CALL 1-800-295-1980

You can also order parts by writing to the address listed below. Please include the product model number, color and a detailed description of the part.

**Customer Service Department No. 413
12345 Albert-Hudon Boulevard, Suite 100
Montreal, Quebec
Canada H1G 3L1**

E-MAIL: csr@jardcoent.com



WARNING

- * Failure to follow these warnings and assembly instructions could result in serious injury or death.
- * Read all instructions before assembling crib. **KEEP INSTRUCTIONS FOR FUTURE USE.**
- * Before each usage or assembly, inspect crib for damaged hardware, loose joints, missing parts or sharp edges, **DO NOT** use crib if any parts are missing or broken. Ask your dealer or write to our customer service representative (address & phone number shown above) for replacement parts and instructional literature if needed. **DO NOT** substitute parts.
- * Infants can suffocate on soft bedding. Never add a pillow or comforter. Never place additional padding under an infant.
- * When child is able to climb out or reaches the height of 35 inches (90 cm), the crib shall no longer be used.
- * To reduce the risk of SIDS, pediatricians recommend healthy infants be placed on their backs to sleep, unless otherwise advised by your physician.
- * **DO NOT** place crib near window where cords from blinds or drapes may strangle a child.
- * Strings can cause strangulation! **DO NOT** place crib with a string around a child's neck, such as hood strings or pacifier cords. **DO NOT** suspend strings over a crib or attach strings to toys.
- * To help prevent strangulation tighten all fasteners. A child can trap parts of the body or clothing on loose fasteners.
- * If refinishing, use a non-toxic finish specified for children's products.
- * When child is able to pull to standing position, set mattress to lowest position and remove bumper pads, large toys and other objects that could serve as steps for climbing out.
- * Never use plastic shipping bags or other plastic film as mattress covers because they can cause suffocation.
- * **DO NOT** use a water mattress with this crib.
- * Replace teething rail if damaged or loose (if teething rail is provided for this model).
- * **CAUTION: ANY MATTRESS USED IN THIS CRIB MUST BE AT LEAST 27-1/4 INCHES BY 51-5/8 INCHES (69CM BY 131CM) WITH A MINIMUM THICKNESS OF 4 INCHES (10CM) BUT NOT EXCEEDING 6 INCHES (15CM).**
- * Infants can suffocate in gaps between crib sides and a mattress that is too small.
- * Follow warnings on all products in a crib.



WARNING ENTRAPMENT / STRANGULATION HAZARD:

- * Infants have died in toddler beds from entrapment and strangulation.
- * **NEVER** use bed with children under 15 months.
- * **NEVER** place bed near windows where cords from blinds or drapes may strangle a child.
- * The **TODDLER BED** or **DAY BED** is not intended for children under 15 months of age or over 50
- * If guardrails are used as the mattress containment means, guardrail(s) provided must be used to avoid the formation of a gap between the mattress and the bed that could cause an entrapment (when product is used as a **TODDLER BED** or **DAY BED**).
- * **DO NOT** place **DAY BED** or **TODDLER BED** near windows where cords from blinds or drapes may strangle a child.
- * **DO NOT** place items with a string, cord, or ribbon around a child's neck, such as hood strings or pacifier cords.
- * **DO NOT** suspend strings over a **TODDLER BED** or **DAY BED** for any reason.

NOTES

- * Ensure all parts and components are present before beginning assembly.
- * Assemble on soft, smooth surface to prevent damage to product finish.
- * Phillips head screw driver is not included.
- * DO NOT use power tools.
- * CAUTION: Adult assembly required.
- * Assembly will require two people.



WARNING: Should this product become damaged, and/or components are broken or missing, DO NOT USE.

CARE AND CLEANING

Dust regularly with a soft, lint-free cloth to prevent soil build-up. A damp cloth may be used occasionally to clean surface. Dry immediately. Do not use any abrasives that may damage finish. Excessive exposure to sunlight and extreme changes in temperature and moisture can damage wood furniture.

If the crib is to be stored, store in cool dry place and carefully package all original hardware to protect from loss.

MAINTENANCE

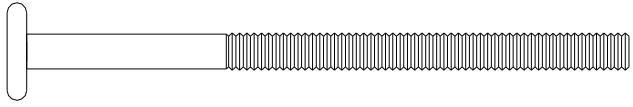
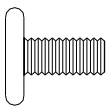
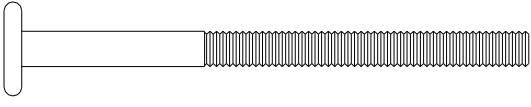
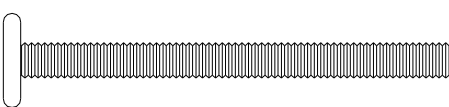

Check bolts/screws periodically and tighten them if necessary.

LIMITED WARRANTY

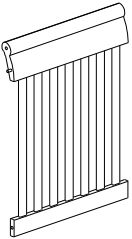
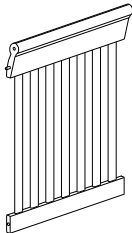


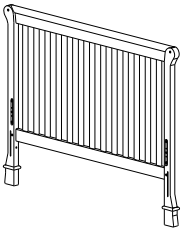
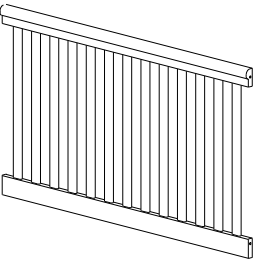
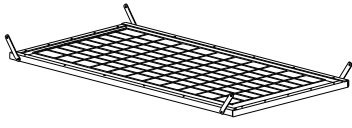
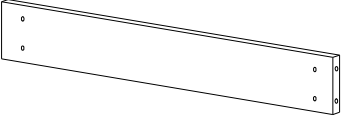
Jardine Enterprise warrants its product to be free from defects in material and workmanship and agrees to remedy any such defect. This warranty covers 1 year from the date of original purchase. This warranty is valid only upon presentation of proof of purchase. This is solely limited to the repair or replacement of defective furniture components and no assembly labor is included. This warranty does not apply to any product which has been improperly assembled, subjected to misuse or abuse or which has been altered or repaired in any way. This warranty gives you specific legal rights and you may also have other rights which vary from State to State.

OLYMPIA 4 IN 1 CRIB

HARDWARE LIST:

A 	D 
BOLT 3-1/2" X 1/4" DIA. 4 PCS	BOLT 1/2" X 1/4" DIA. 16 PCS
B 	E 
BOLT 3"x 1/4" DIA. 8 PCS	BOLT 2-1/2"x 1/4" DIA. 4 PCS
C 	
ALLEN KEY 4 MM 1 PC	

PARTS LIST:

G1 	G2 	H1 	H2 
LEFT END PANEL 1 PC	RIGHT END PANEL 1 PC	LEFT FRONT POST 1 PC	RIGHT FRONT POST 1 PC
I 		J 	
HEAD BOARD 1 PC		FRONT PANEL 1 PC	
K 	F 		
MATTRESS SUPPORT 1 PC	GUARD RAIL 1 PC		

OLYMPIA 4 IN 1 CRIB

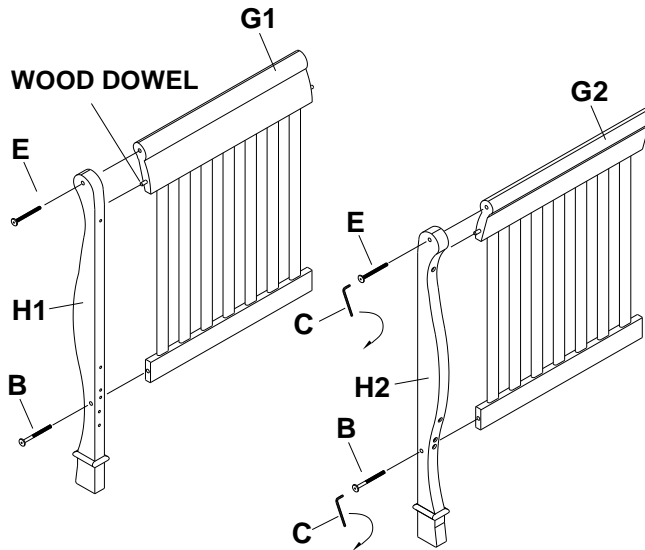
Thank you for purchasing this quality product. Be sure to check all packing material carefully for small parts, which may have come loose inside the carton during shipment. Identify and count all parts and compare with the parts list.

NOTE: When inserting bolts turn clockwise until tight. Then loosen 1/2-3/4 of a turn. After crib is completely assembled, return to each bolt and tighten. Use wax or soap on all bolts to facilitate assembly.

STEP 1

Attach the right front post (H2) to the right end panel (G2) by aligning the wood dowel to the appropriate hole. Secure the two units by using bolts (E) and (B) and Allen key (C). Repeat this step for the left front post (H1) to the left end panel (G1).

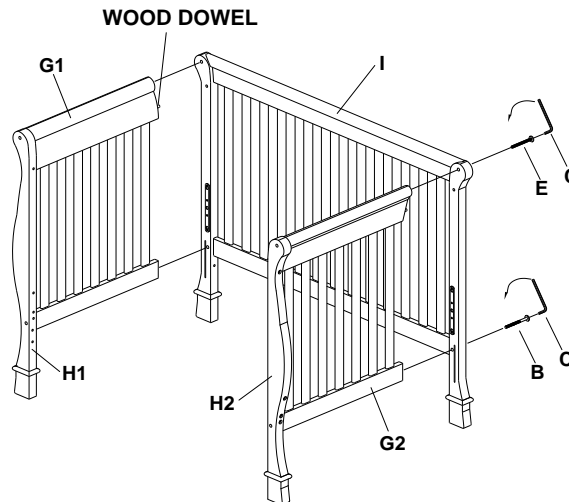
*** Please make sure that the top of the post is flush with the top of curving rail on end panel when tightening bolts.**



STEP 2

Attach the right front end panel (G2) to the headboard (I) by aligning the wood dowel to the appropriate hole. Secure the two units by using bolts (E) and (B) and Allen key (C). Repeat this step for the left end panel (G1).

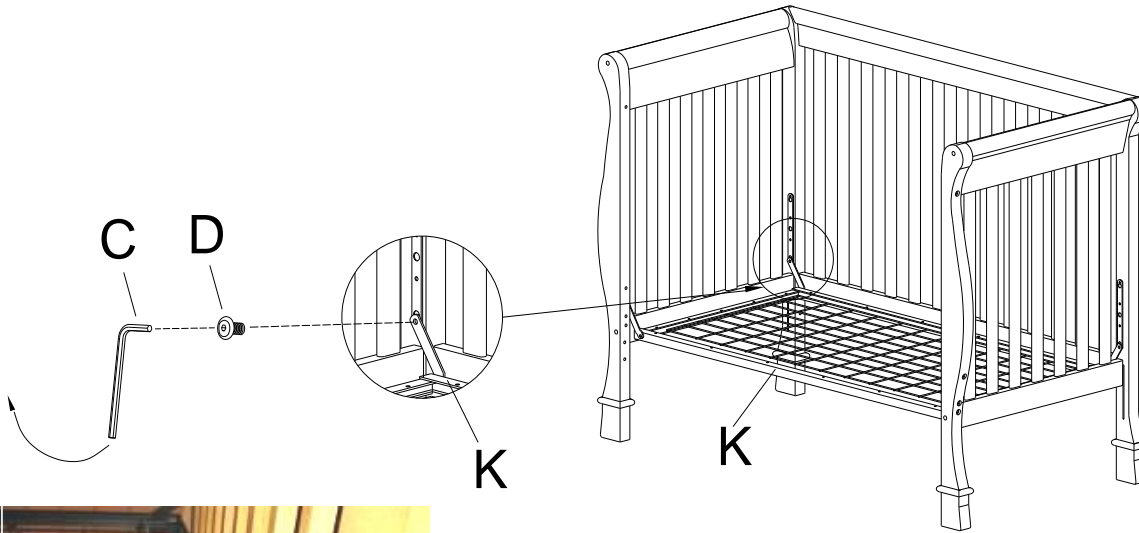
*** Please make sure that the top of the post is flush with the top of curving rail on end panel when tightening bolts.**



OLYMPIA 4 IN 1 CRIB

STEP 3

Attach mattress support (K) to the posts using bolts (D) and Allen Key (C). Be sure the mattress support is leveled and centered before tightening all 4 bolts. Do not overtighten. Check bolts regularly and tighten if necessary.



INCORRECT

Raised edge should face down - this photo shows mattress support is upside down



INCORRECT

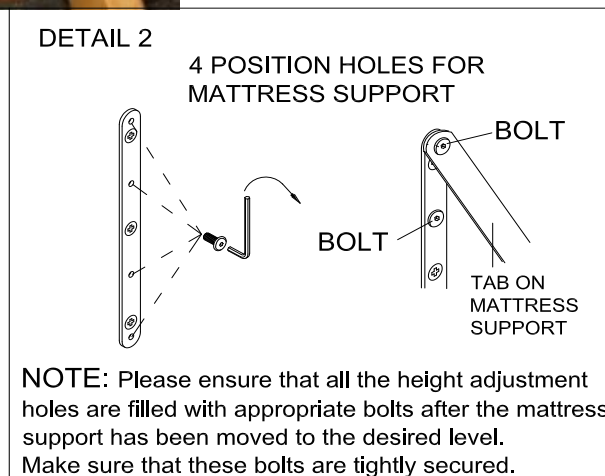
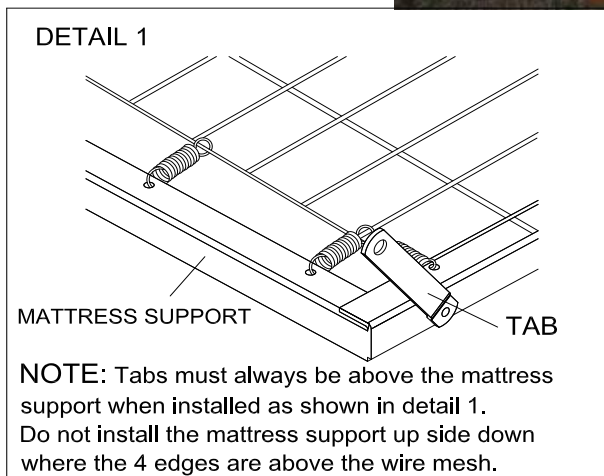
Tabs on corners of mattress support should point up



CORRECT

Tab to point up

Flat surface of mattress support to face up - mattress must sit on flat surface

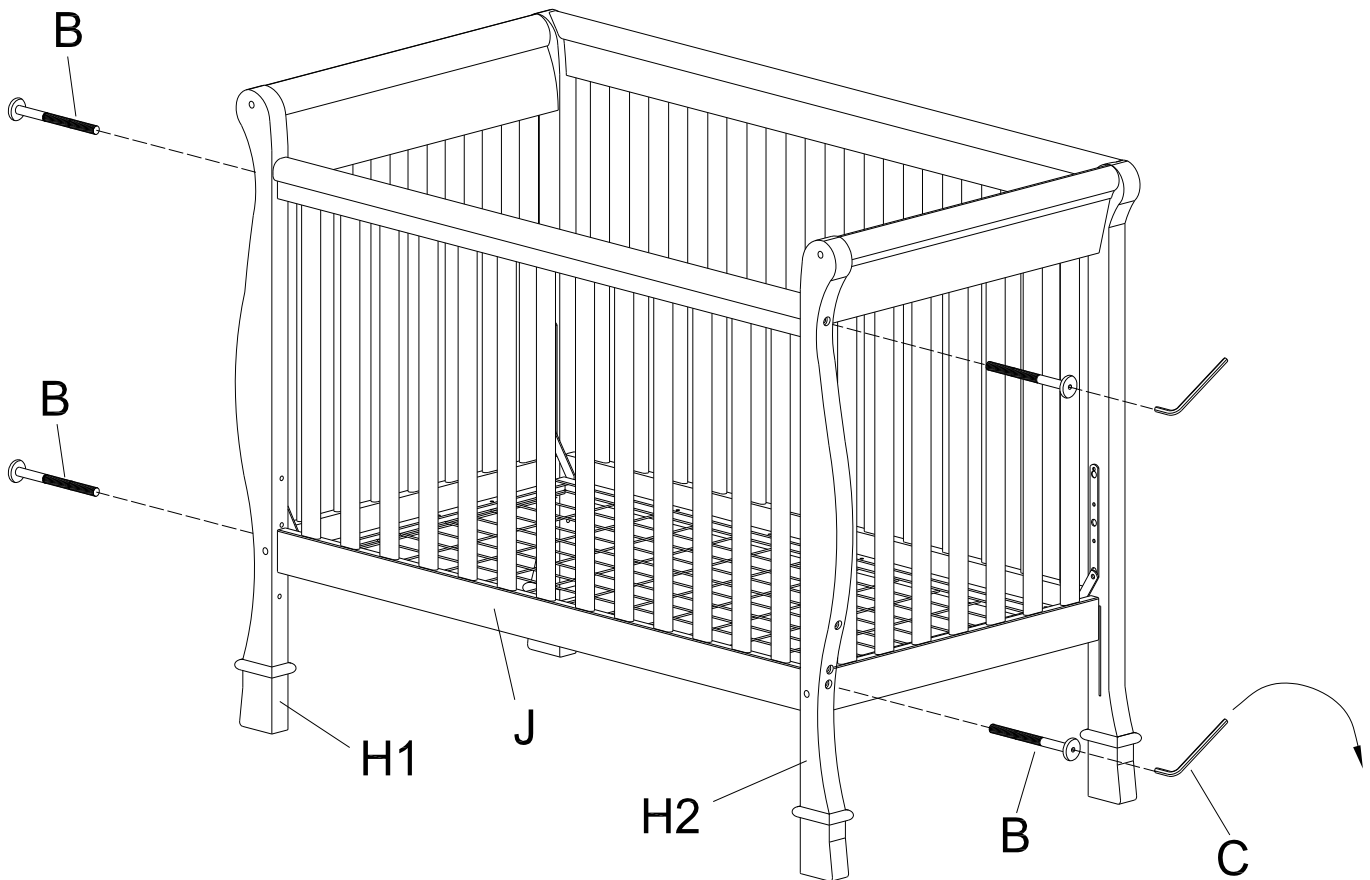


OLYMPIA 4 IN 1 CRIB

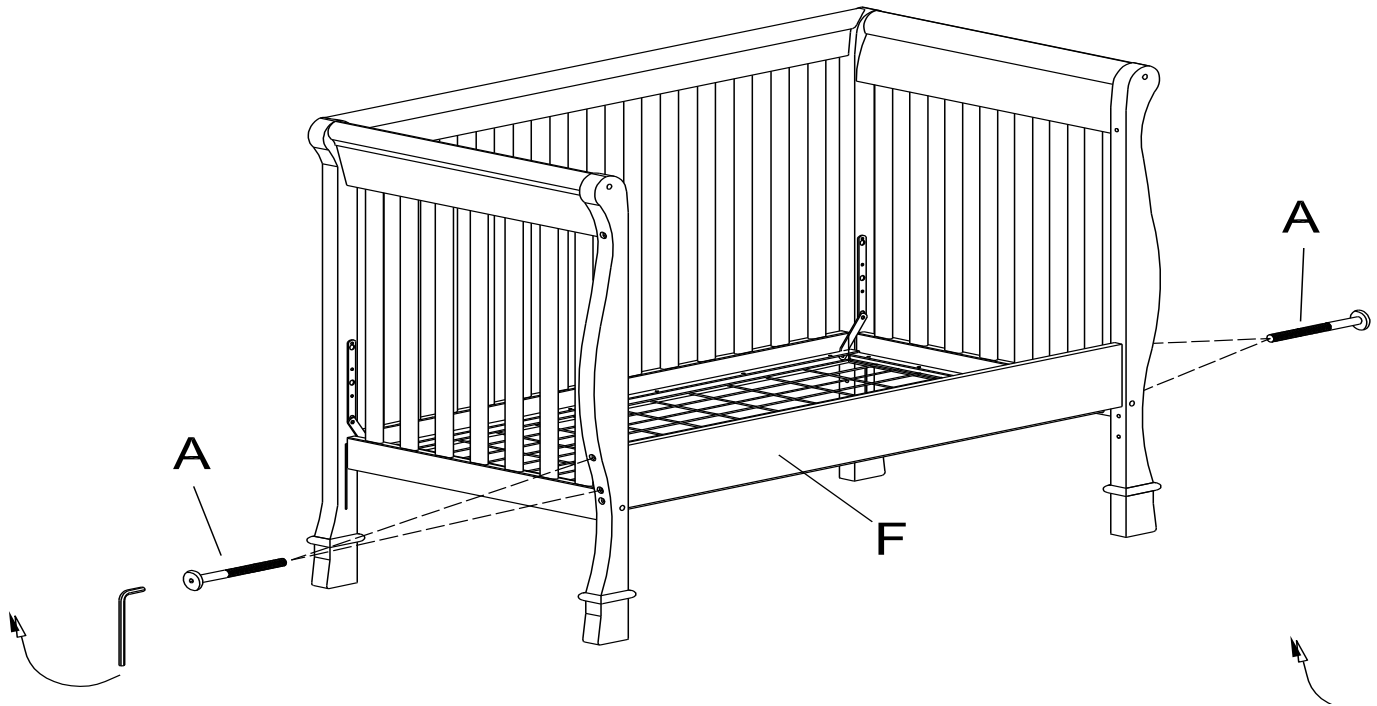
STEP 4

Attach the front panel (J) to front posts (H1) and (H2) using bolts (B). Use Allen key (C) to tighten bolts.

NOTE: When the child is able to stand on his/her own, please place the mattress support at its lowest position.



OLYMPIA DAY BED & TODDLER BED



WARNINGS:

* Any mattress used in this crib must be at least 27-1/4 inches by 51-5/8 inches (69cm by 131cm) with a minimum thickness of 4 inches (10cm) but not exceeding 6 inches (15cm).

* The DAY BED & TODDLER BED is not intended for children under 15 months of age or over 50 pounds.

NOTE: When inserting bolts turn clockwise until tight. Then loosen 1/2-3/4 of a turn. After crib is completely assembled, return to each bolt and tighten. Use wax or soap on all bolts to facilitate assembly.

TODDLER BED & DAY BED ASSEMBLY INSTRUCTION: STARTING FROM CRIB

STEP 1: Detach the front panel (J) from the front posts (H1) and (H2) using Allen Key (C).

STEP 2: Move the mattress support (K) to the lowest position by using bolts (D) and Allen Key (C).

STEP 3: Attach the guardrail (F) to the front posts by using bolts (A) and Allen key (C).

TODDLER BED & DAY BED ASSEMBLY INSTRUCTION: STARTING FROM SCRATCH

STEP 1: Follow step 1 to 3 of the crib assembly instruction.

STEP 2: Follow step 2 to 3 for the day bed assembly instruction located above (starting from crib).

OLYMPIA 4 IN 1 CRIB

FULL SIZE CONVERSION RAILS ARE NOT INCLUDED. DIAGRAM 2 IS FOR REFERENCE ONLY.

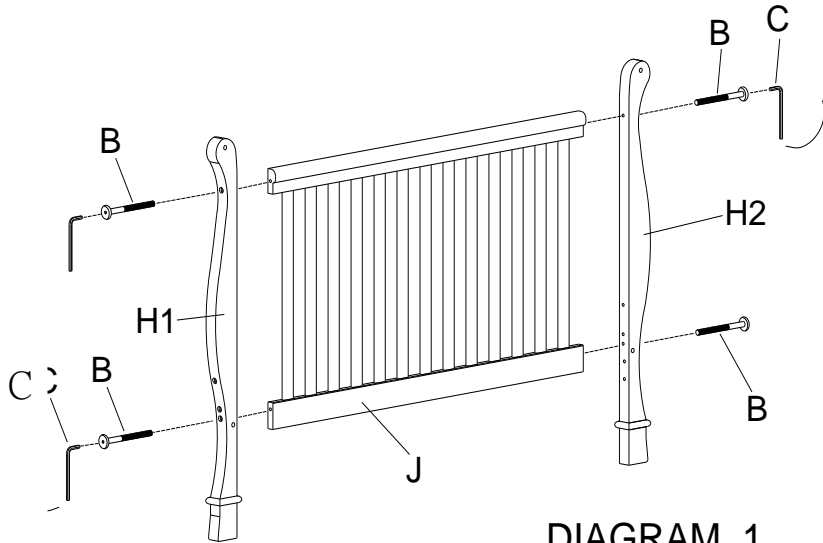


DIAGRAM 1

STEP 1: Assemble the front posts (H1) and (H2) to the front panel (J) by using bolts (B) and Allen key (C) as shown in diagram 1.

STEP 2: Assemble the full size conversion rails (not included) to the headboard (I) and the front posts (H1 & H2) as shown in diagram 2.

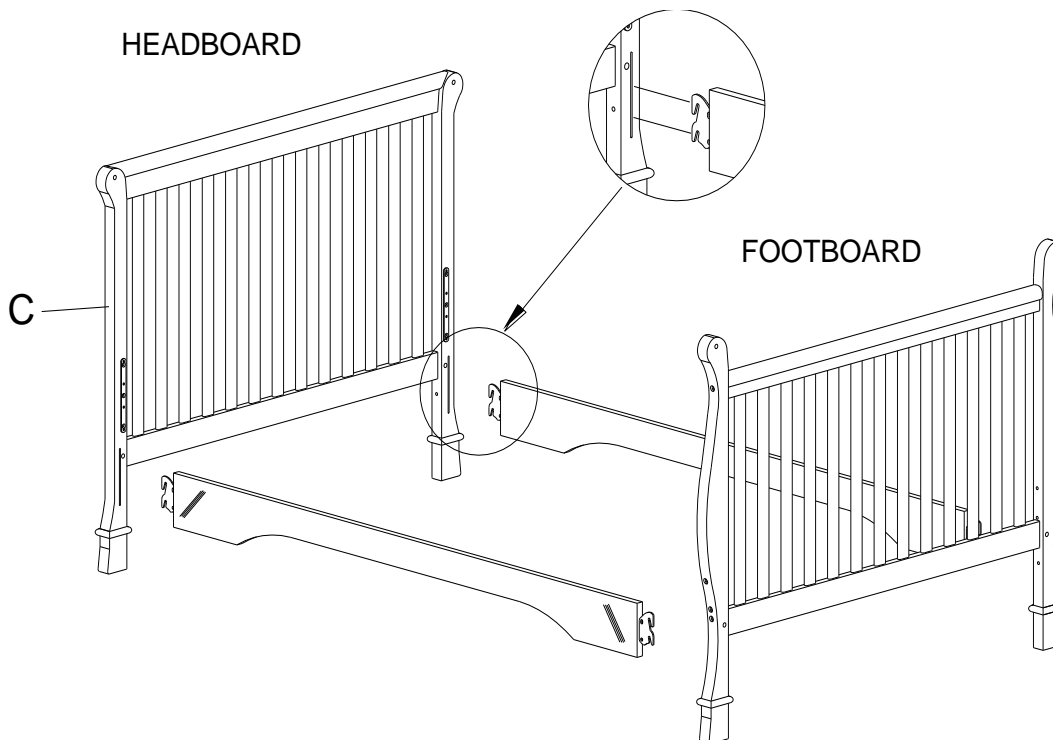


DIAGRAM 2

OLYMPIA FULL SIZE BED

FULL SIZE BED WITH HEADBOARD ONLY ASSEMBLY

FULL SIZE CONVERSION RAILS AND LEGS ARE NOT INCLUDED. DIAGRAM 1 & 2 IS FOR REFERENCE ONLY. BED RAILS AND LEGS MAY DIFFER FROM ILLUSTRATION.

HEADBOARD

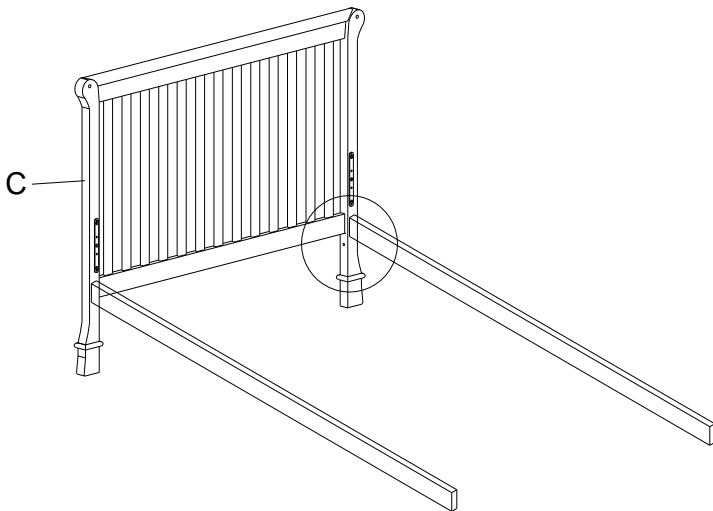


DIAGRAM 1

STEP 1

Assemble the full size conversion rails and legs (not included) to the headboard (C) .

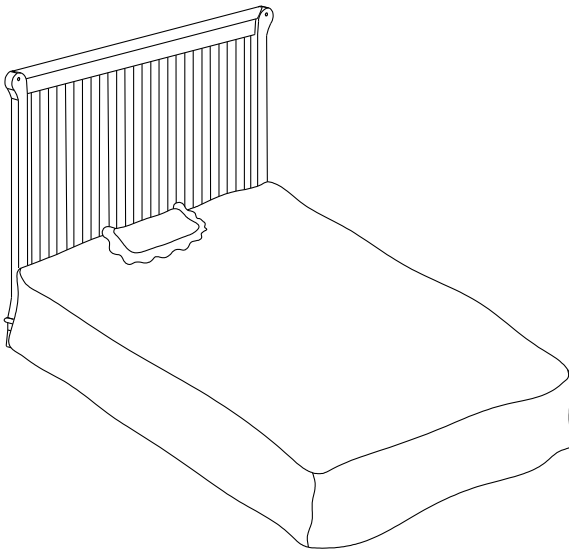


DIAGRAM 2

IMPORTANT: Store unused parts of "crib", "day bed" or "full size bed" for future use.

OLYMPIA 4 IN 1 CRIB

Any mattress used in this crib must be at least 27-1/4 inches by 51-5/8 inches (69cm by 131cm) with a minimum thickness of 4 inches (10cm) but not exceeding 6 inches (15cm).

When child is able to climb out or reaches the height of 35 inches (90 cm), the crib shall not be used.



That's it ! You've finished assembling your 4 IN 1 CRIB

The TODDLER BED or DAY BED is not intended for children under 15 months of age or over 50 pounds.

DO NOT RETURN PRODUCT TO THE STORE.
If a part is missing or damaged, contact our customer service department. We will replace the part FREE of charge.

Tel #: 1-800-295-1980

E-Mail: csr@jardcoent.com

Fax #: 514-353-7819

