

**CUSTOMER SERVICE**

If you are missing parts or have any questions about this product, contact our customer service representative first!



**CALL 1-800-295-1980**

You can also order parts by writing to the address listed below. Please include the product model number, color and a detailed description of the part.

**Customer Service Department No. 413  
12345 Albert-Hudon Boulevard, Suite 100  
Montreal, Quebec  
Canada H1G 3L1**

**E-MAIL: [csr@jardcoent.com](mailto:csr@jardcoent.com)**



## **WARNING**

- \* Failure to follow these warnings and assembly instructions could result in serious injury or death.
- \* Read all instructions before assembling crib. **KEEP INSTRUCTIONS FOR FUTURE USE.**
- \* Before each usage or assembly, inspect crib for damaged hardware, loose joints, missing parts or sharp edges, **DO NOT** use crib if any parts are missing or broken. Ask your dealer or write to our customer service representative (address & phone number shown above) for replacement parts and instructional literature if needed. **DO NOT** substitute parts.
- \* Infants can suffocate on soft bedding. Never add a pillow or comforter. Never place additional padding under an infant.
- \* When child is able to climb out or reaches the height of 35 inches (90 cm), the crib shall no longer be used.
- \* To reduce the risk of SIDS, pediatricians recommend healthy infants be placed on their backs to sleep, unless otherwise advised by your physician.
- \* **DO NOT** place crib near window where cords from blinds or drapes may strangle a child.
- \* Strings can cause strangulation! **DO NOT** place crib with a string around a child's neck, such as hood strings or pacifier cords. **DO NOT** suspend strings over a crib or attach strings to toys.
- \* To help prevent strangulation tighten all fasteners. A child can trap parts of the body or clothing on loose fasteners.
- \* If refinishing, use a non-toxic finish specified for children's products.
- \* When child is able to pull to standing position, set mattress to lowest position and remove bumper pads, large toys and other objects that could serve as steps for climbing out.
- \* Never use plastic shipping bags or other plastic film as mattress covers because they can cause suffocation.
- \* **DO NOT** use a water mattress with this crib.
- \* Replace teething rail if damaged or loose (if teething rail is provided for this model).
- \* **CAUTION: ANY MATTRESS USED IN THIS CRIB MUST BE AT LEAST 27-1/4 INCHES BY 51-5/8 INCHES (69CM BY 131CM) WITH A MINIMUM THICKNESS OF 4 INCHES (10CM) BUT NOT EXCEEDING 6 INCHES (15CM).**
- \* Infants can suffocate in gaps between crib sides and a mattress that is too small.
- \* Follow warnings on all products in a crib.



## **WARNING ENTRAPMENT / STRANGULATION HAZARD:**

- \* Infants have died in toddler beds from entrapment and strangulation.
- \* **NEVER** use bed with children under 15 months.
- \* **NEVER** place bed near windows where cords from blinds or drapes may strangle a child.
- \* The **TODDLER BED** or **DAY BED** is not intended for children under 15 months of age or over 50
- \* If guardrails are used as the mattress containment means, guardrail(s) provided must be used to avoid the formation of a gap between the mattress and the bed that could cause an entrapment (when product is used as a **TODDLER BED** or **DAY BED**).
- \* **DO NOT** place **DAY BED** or **TODDLER BED** near windows where cords from blinds or drapes may strangle a child.
- \* **DO NOT** place items with a string, cord, or ribbon around a child's neck, such as hood strings or pacifier cords.
- \* **DO NOT** suspend strings over a **TODDLER BED** or **DAY BED** for any reason.

## NOTES

- \* Ensure all parts and components are present before beginning assembly.
- \* Assemble on soft, smooth surface to prevent damage to product finish.
- \* Phillips head screw driver is not included.
- \* DO NOT use power tools.
- \* CAUTION: Adult assembly required.
- \* Assembly will require two people.



**WARNING: Should this product become damaged, and/or components are broken or missing, DO NOT USE.**

### CARE AND CLEANING

Dust regularly with a soft, lint-free cloth to prevent soil build-up. A damp cloth may be used occasionally to clean surface. Dry immediately. Do not use any abrasives that may damage finish. Excessive exposure to sunlight and extreme changes in temperature and moisture can damage wood furniture.

If the crib is to be stored, store in cool dry place and carefully package all original hardware to protect from loss.

### MAINTENANCE

Check bolts/screws periodically and tighten them if necessary.




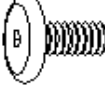

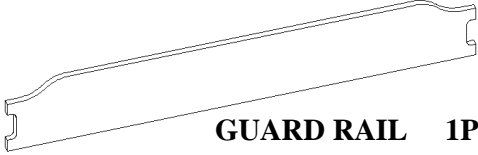
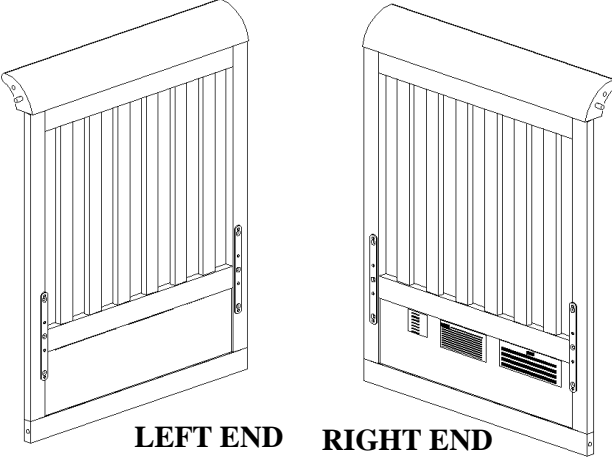
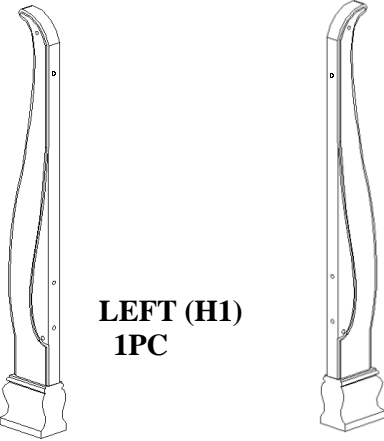
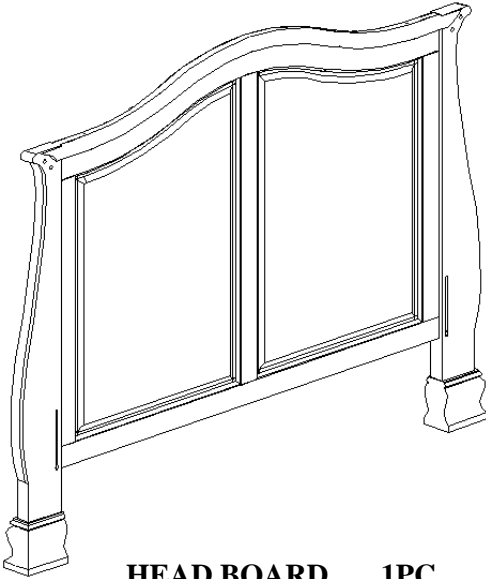
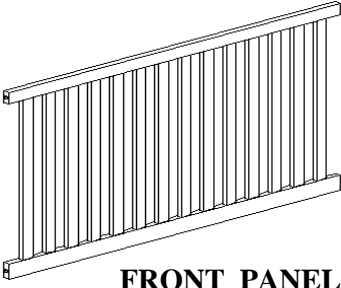
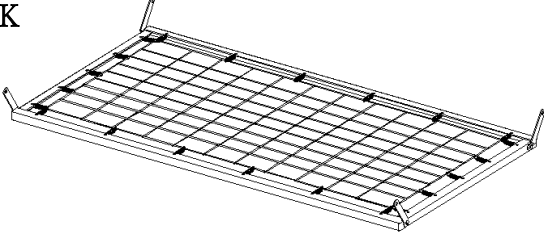
### LIMITED WARRANTY

Jardine Enterprise warrants its product to be free from defects in material and workmanship and agrees to remedy any such defect. This warranty covers 1 year from the date of original purchase. This warranty is valid only upon presentation of proof of purchase. This is solely limited to the repair or replacement of defective furniture components and no assembly labor is included. This warranty does not apply to any product which has been improperly assembled, subjected to misuse or abuse or which has been altered or repaired in any way. This warranty gives you specific legal rights and you may also have other rights which vary from State to State.

# ASSEMBLY INSTRUCTION

## MADISON LIFETIME CRIB

### HARDWARE AND PART LIST

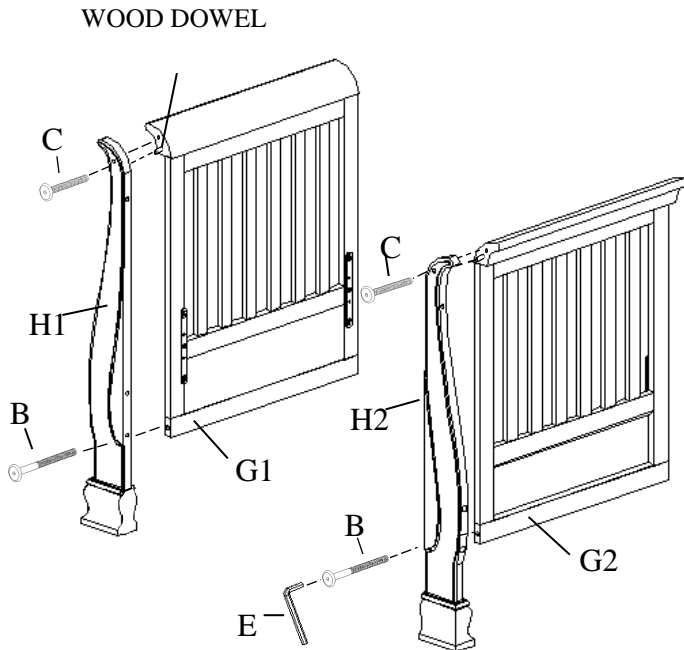
|   |   |
|---|---|
| <p><b>A</b></p>  <p style="text-align: center;"><b>BOLT 5"×1/4"DIA 6PCS</b></p>  | <p><b>B</b></p>  <p style="text-align: center;"><b>BOLT 3"×1/4"DIA 6PCS</b></p>                                   |
| <p><b>C</b></p>  <p style="text-align: center;"><b>BOLT 2 1/2"×1/4"DIA 4PCS</b></p>                                      | <p><b>D</b></p>  <p style="text-align: center;"><b>BOLT 1/2"×1/4"DIA 16PCS</b></p>                               |
| <p><b>E</b></p>  <p style="text-align: center;"><b>ALLEN WRENCH 4MM 1PC</b></p>  | <p><b>F</b></p>  <p style="text-align: center;"><b>GUARD RAIL 1PC</b></p>   |
| <p><b>G</b></p>  <p style="text-align: center;"><b>LEFT END (G1) 1PC    RIGHT END (G2) 1PC</b><br/><b>END PANEL</b></p> | <p><b>H</b></p>  <p style="text-align: center;"><b>LEFT (H1) 1PC    RIGHT (H2) 1PC</b><br/><b>FRONT POST</b></p> |
| <p><b>I</b></p>  <p style="text-align: center;"><b>HEAD BOARD 1PC</b></p>  | <p><b>J</b></p>  <p style="text-align: center;"><b>FRONT PANEL 1PC</b></p>                                      |
|   | <p><b>K</b></p>  <p style="text-align: center;"><b>MATTRESS SUPPORT 1PC</b></p>                                 |

# ASSEMBLY INSTRUCTIONS

## MADISON LIFETIME CRIB

Thank you for purchasing this quality product. Be sure to check all packing material carefully for small parts, which may have come loose inside the carton during shipment. Identify and count all parts and compare with the parts list below.

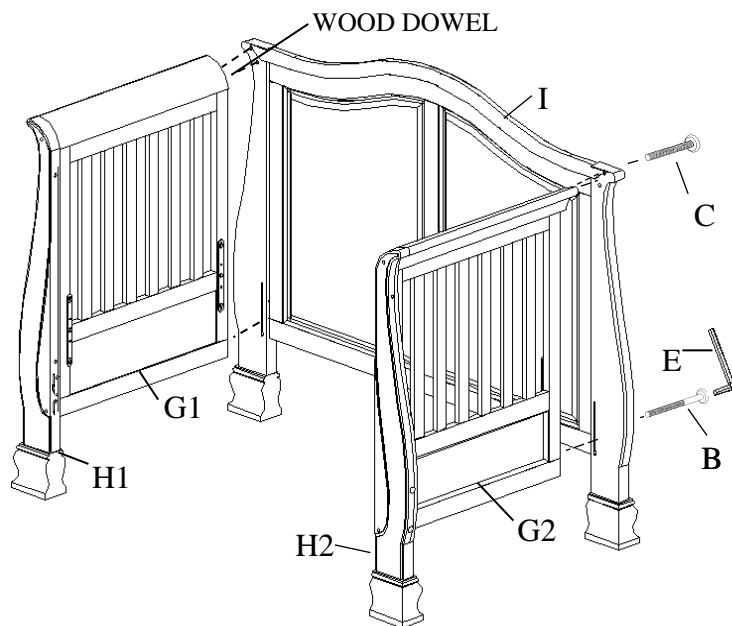
**NOTE: WHEN INSERTING SCREWS TURN CLOCKWISE UNTIL TIGHT. THEN LOOSEN 1/2-3/4 OF A TURN. AFTER CRIB IS COMPLETELY ASSEMBLED, RETURN TO EACH SCREW AND TIGHTEN. USE WAX OR SOAP ON ALL SCREWS TO FACILITATE ASSEMBLY.**



### STEP 1.

TO ATTACH THE RIGHT FRONT POST (PART H2) TO THE RIGHT END PANEL (PART G2), FIRST ALIGN THE WOOD DOWEL (PRE-SET ON THE RIGHT END PANEL (PART G2) AND THE TOP PRE-DRILLED HOLE ON THE RIGHT FRONT POST (PART H2). THEN USE 2 BOLTS (PART B & C) AND WRENCH (PART E) PROVIDED TO SECURE THE RIGHT END PANEL (PART G2) AND RIGHT FRONT POST (PART H2). REPEAT THIS STEP FOR THE LEFT FRONT POST (PART H1) AND LEFT END PANEL (PART G1).

PLEASE MAKE SURE THAT THE TOP OF THE POST IS AT THE LOWEST POSITION TO BE CONNECTED TO THE TOP OF THE RAIL OF THE END PANEL WHILE SCREWING



### STEP 2.

TO ATTACH THE RIGHT END PANEL ASSEMBLY (PARTS G2 & H2) ONTO THE HEADBOARD (PART I), FIRST ALIGN THE WOOD DOWEL (PRE-SET ON THE RIGHT END PANEL (PART G2) AND THE TOP PRE-DRILLED HOLE ON THE HEADBOARD (PART I). THEN USE 2 BOLTS (PART B & C) AND WRENCH (PART E) PROVIDED TO SECURE THE RIGHT END PANEL ASSEMBLY (PARTS G2 & H2) TO THE HEADBOARD (PART I). REPEAT THIS STEP TO ASSEMBLE THE LEFT END PANEL ASSEMBLY (PARTS G1 & H1) AND HEADBOARD (PART I).

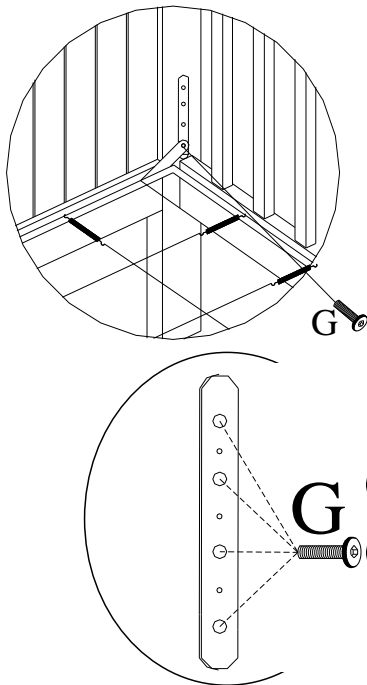
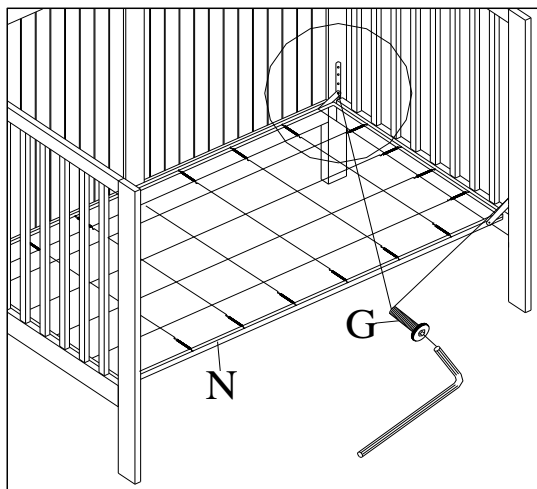
PLEASE MAKE SURE THAT THE TOP OF THE POST IS AT THE LOWEST POSITION TO BE CONNECTED TO THE TOP OF THE RAIL OF THE END PANEL WHILE SCREWING.

# ASSEMBLY INSTRUCTIONS

## MADISON LIFETIME CRIB

### STEP 3:

Attach the mattress support to the 4 corner posts with the mattress support bolts (D). Use Allen Key to tighten bolts. Refer to details 1 and 2 for direction on how to properly attach the mattress support.



**DETAIL 1**

MATTRESS SUPPORT      TAB

**NOTE:** Tabs must always be above the mattress support when installed as shown in detail 1. Do not install the mattress support up side down where the 4 edges are above the wire mesh.

---

**DETAIL 2**

4 POSITION HOLES FOR MATTRESS SUPPORT

BOLT      BOLT      TAB ON MATTRESS SUPPORT

**NOTE:** Please ensure that all the height adjustment holes are filled with appropriate bolts after the mattress support has been moved to the desired level. Make sure that these bolts are tightly secured.



**INCORRECT-**  
Raised edge should face down -this photo shows mattress support is upside down



**INCORRECT-**  
Tabs on corners of mattress support should point up



**CORRECT**

\*Tabs to point UP.

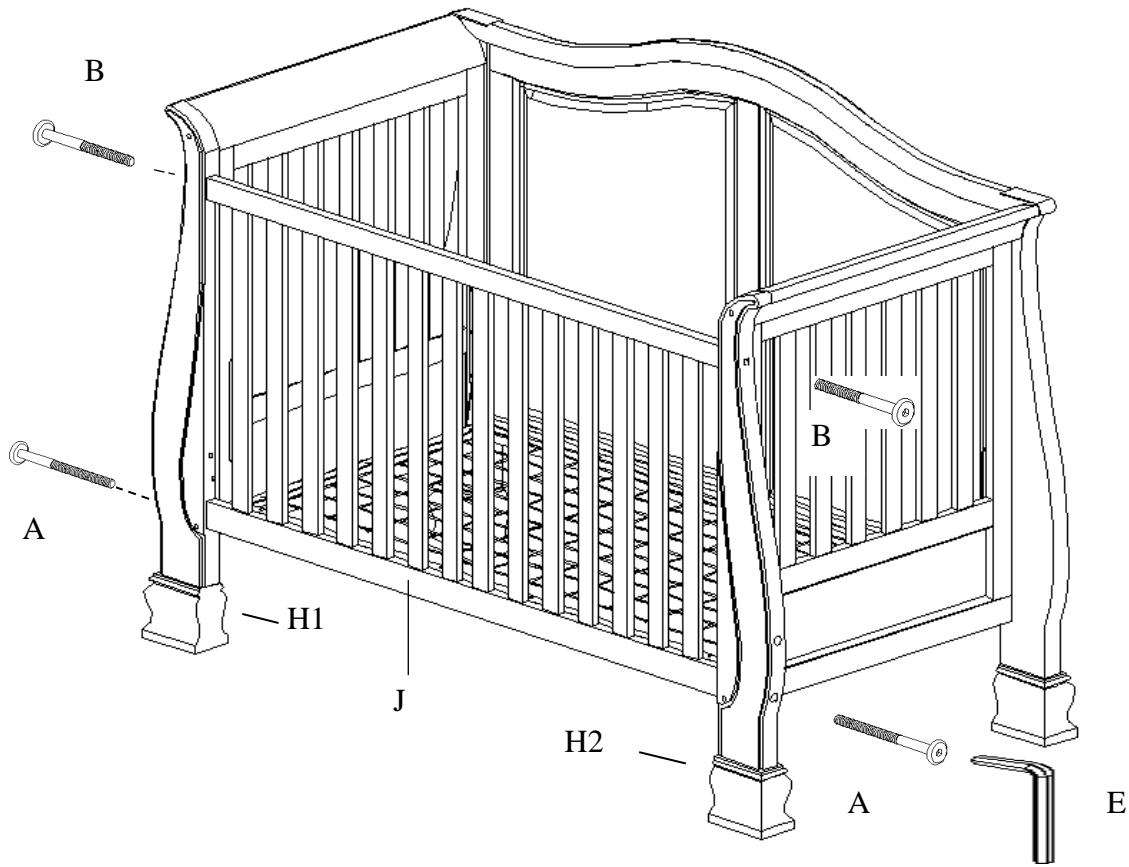
\* Flat surface of mattress support to face up - mattress must sit on flat surface.

# ASSEMBLY INSTRUCTIONS

## MADISON LIFETIME CRIB

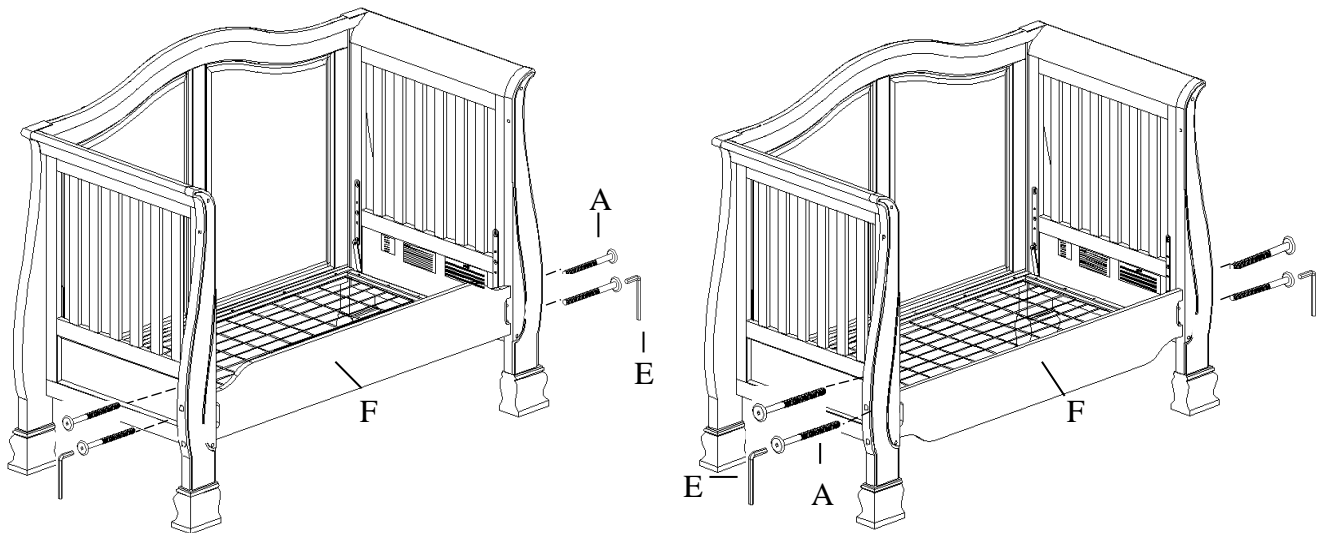
### STEP 4.

ATTACH THE FRONT PANEL (PART J) TO FRONT POST (H1) AND (H2) USING BOLTS (A) AND (B). USE ALLEN WRENCH (E) PROVIDED TO TIGHTEN BOLTS.



# ASSEMBLY INSTRUCTION

## MADISON LIFETIME CRIB



### **⚠ WARNINGS:**

- 1. ANY MATTRESS USED IN THIS DAY BED MUST BE AT LEAST 27-1/4" x 51-5/8" (69CM x 131CM) WITH A MINIMUM THICKNESS OF 4" AND NOT EXCEEDING 6" (15CM).**
- 2. THE DAY BED IS INTENDED FOR USE BY A CHILD NOT LESS THAN 15 MONTHS OF AGE AND WHO WEIGHS NO MORE THAN 50LBS (27.7KGS)**

**NOTE: WHEN INSERTING SCREWS TURN CLOCKWISE UNTIL TIGHT, THEN LOOSEN 1/2-3/4 OF A TURN, AFTER CRIB IS COMPLETELY ASSEMBLED, RETURN TO EACH SCREW AND TIGHTEN, USE WAX OR SOAP ON ALL SCREWS TO FACILITATE ASSEMBLY.**

### **DAY BED ASSEMBLY INSTRUCTIONS, STARTING FROM CRIB**

**STEP 1:** DETACH THE FRONT PANEL (PART J) FROM THE FRONT POSTS (H1) AND (H2) USING ALLEN WRENCH (E).

**STEP 2:** IF MATTRESS SUPPORT (PART K) IS NOT IN THE LOWEST POSITION, UNSCREW MATTRESS SUPPORT BOLTS (PART D) FROM POST AND MOVE IT TO THE LOWEST POSITION.

**NOTE:** PLEASE ENSURE THAT THE HEIGHT ADJUSTMENT HOLES BE FILLED WITH SCREWS (D) AFTER THE MATTRESS SUPPORT HAS BEEN MOVED TO THE LOWEST LEVEL, MAKE SURE THAT THESE SCREWS ARE TIGHTLY SECURED.

**STEP 3:** USING THE WRENCH PROVIDED, ATTACH THE GUARD RAIL (PART F) USING 4 BOLTS (PART A) BETWEEN THE LEFT AND RIGHT FRONT POSTS.

**STEP 4:** TIGHTEN ALL SCREWS CLOCKWISE.

### **STARTING FROM SCRATCH:**

**STEP 1:** FOLLOW STEPS 1 TO 3 OF THE CRIB ASSEMBLY INSTRUCTIONS.

**STEP 2:** FOLLOW STEPS 2 TO 4 FOR THE DAY BED ASSEMBLY INSTRUCTIONS LOCATED ABOVE (STARTING FROM CRIB).

# ASSEMBLY INSTRUCTION

## MADISON LIFETIME CRIB

FULL SIZE CONVERSION RAILS ARE NOT INCLUDED. DIAGRAM 2 IS FOR REFERENCE ONLY.

### HEADBOARD

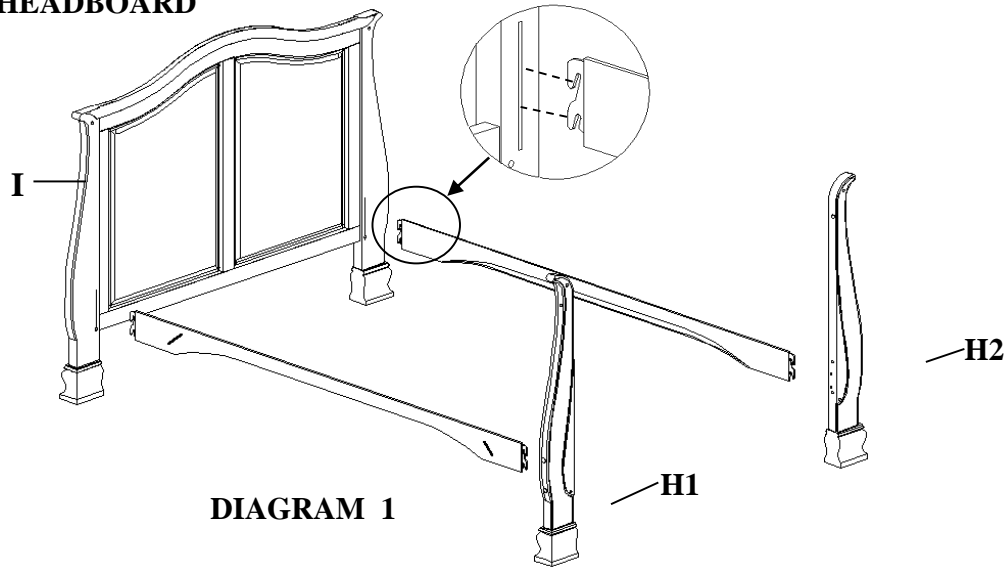


DIAGRAM 1

**STEP 1: ASSEMBLE THE FULL SIZE CONVERSION RAILS (NOT INCLUDED) TO THE HEADBOARD (PART I) AND THE FRONT POSTS (PART H1 & H2), AS SHOWN IN DIAGRAM 1.**

**STEP 2: ASSEMBLE THE FRONT POSTS (PART H1 & H2) TO THE FRONT PANEL (PART J), BY USING BOLTS (PART A & B), AS SHOWN IN DIAGRAM 2.**

