



**MODEL #: 0115S00**

**CAUTION:**

Carefully read instructions and procedures for safe operation

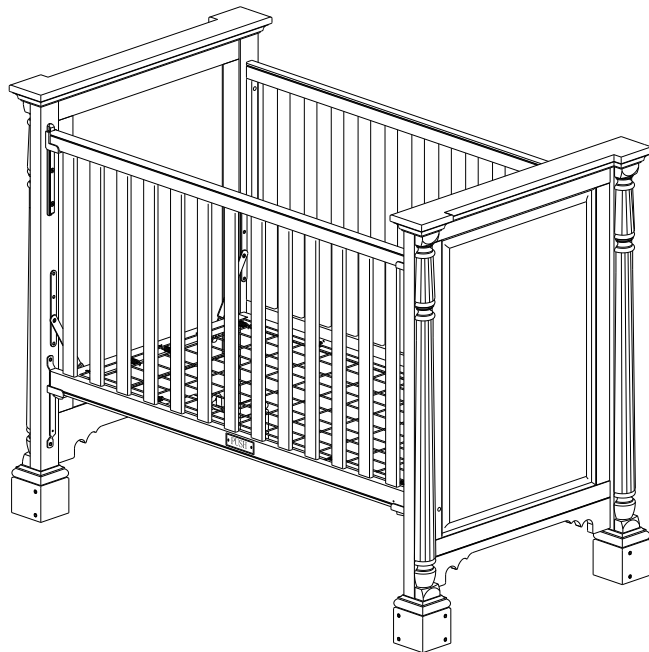
**WARNING:**

Should this product become damaged and/or components are broken  
**DO NOT USE**

**NOTE:**

It may be easier to assemble this product with two people  
Phillips screw-driver is not included

**CLAREMONT SINGLE CRIB**



**RECEIPT OF PURCHASE:**

**ATTACH HERE**

**DO NOT RETURN PRODUCT TO THE STORE.**

If a part is missing or damaged, contact our customer service department. We will replace the part **FREE** of charge.



**Tel #: 1-800-295-1980**  
**E-Mail: [csr@jardcoent.com](mailto:csr@jardcoent.com)**  
**Fax #: 514-353-7819**

## CUSTOMER SERVICE

If you are missing parts or have any questions about this product, contact our customer service representative first!

 **CALL 1-800-295-1980**

You can also order parts by writing to the address listed below. Please include the product model number, color and a detailed description of the part.

**Customer Service Department No. 413  
12345 Albert-Hudon Boulevard, Suite 100  
Montreal, Quebec  
Canada H1G 3L1**

**E-MAIL: [csr@jardcoent.com](mailto:csr@jardcoent.com)**



## WARNING

- \* Failure to follow these warnings and assembly instructions could result in serious injury or death.
- \* Read all instructions before assembling crib. **KEEP INSTRUCTIONS FOR FUTURE USE.**
- \* Before each usage or assembly, inspect crib for damaged hardware, loose joints, missing parts or sharp edges, **DO NOT** use crib if any parts are missing or broken. Ask your dealer or write to our customer service representative (address & phone number shown above) for replacement parts and instructional literature if needed. **DO NOT** substitute parts.
- \* Infants can suffocate on soft bedding. Never add a pillow or comforter. Never place additional padding under an infant.
- \* When child is able to climb out or reaches the height of 35 inches (90 cm), the crib shall no longer be used.
- \* To reduce the risk of SIDS, pediatricians recommend healthy infants be placed on their backs to sleep, unless otherwise advised by your physician.
- \* **DO NOT** place crib near window where cords from blinds or drapes may strangle a child.
- \* Strings can cause strangulation! **DO NOT** place crib with a string around a child's neck, such as hood strings or pacifier cords. **DO NOT** suspend strings over a crib or attach strings to toys.
- \* To help prevent strangulation tighten all fasteners. A child can trap parts of the body or clothing on loose fasteners.
- \* If refinishing, use a non-toxic finish specified for children's products.
- \* When child is able to pull to standing position, set mattress to lowest position and remove bumper pads, large toys and other objects that could serve as steps for climbing out.
- \* Never use plastic shipping bags or other plastic film as mattress covers because they can cause suffocation.
- \* **DO NOT** use a water mattress with this crib.
- \* Replace teething rail if damaged or loose (if teething rail is provided for this model).
- \* **CAUTION: ANY MATTRESS USED IN THIS CRIB MUST BE AT LEAST 27-1/4 INCHES BY 51-5/8 INCHES (69CM BY 131CM) WITH A MINIMUM THICKNESS OF 4 INCHES (10CM) BUT NOT EXCEEDING 6 INCHES (15CM).**
- \* Infants can suffocate in gaps between crib sides and a mattress that is too small.
- \* Follow warnings on all products in a crib.

## NOTES

- \* Ensure all parts and components are present before beginning assembly.
- \* Assemble on soft, smooth surface to prevent damage to product finish.
- \* Phillips head screw driver is not included.
- \* **DO NOT** use power tools.
- \* **CAUTION: Adult assembly required.**
- \* Assembly will require two people.



**WARNING: Should this product become damaged, and/or components are broken or missing, DO NOT USE.**

### **CARE AND CLEANING**

Dust regularly with a soft, lint-free cloth to prevent soil build-up. A damp cloth may be used occasionally to clean surface. Dry immediately. Do not use any abrasives that may damage finish. Excessive exposure to sunlight and extreme changes in temperature and moisture can damage wood furniture.

If the crib is to be stored, store in cool dry place and carefully package all original hardware to protect from loss.

### **MAINTENANCE**

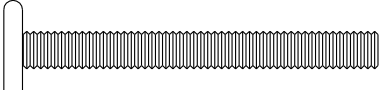
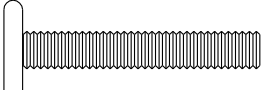

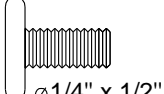


Check bolts/screws periodically and tighten them if necessary.

### **LIMITED WARRANTY**

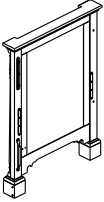
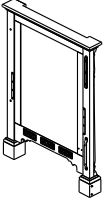
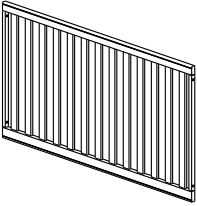
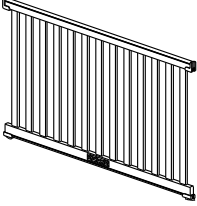
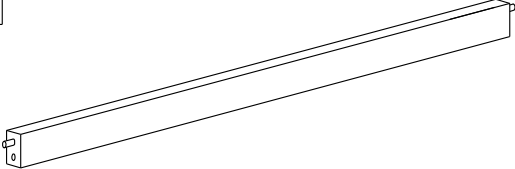
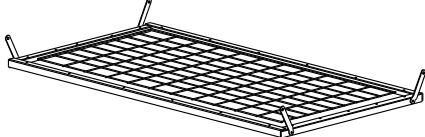
Jardine Enterprise warrants its product to be free from defects in material and workmanship and agrees to remedy any such defect. This warranty covers 1 year from the date of original purchase. This warranty is valid only upon presentation of proof of purchase. This is solely limited to the repair or replacement of defective furniture components and no assembly labor is included. This warranty does not apply to any product which has been improperly assembled, subjected to misuse or abuse or which has been altered or repaired in any way. This warranty gives you specific legal rights and you may also have other rights which vary from State to State.

# CLAREMONT SINGLE CRIB

## HARDWARE LIST

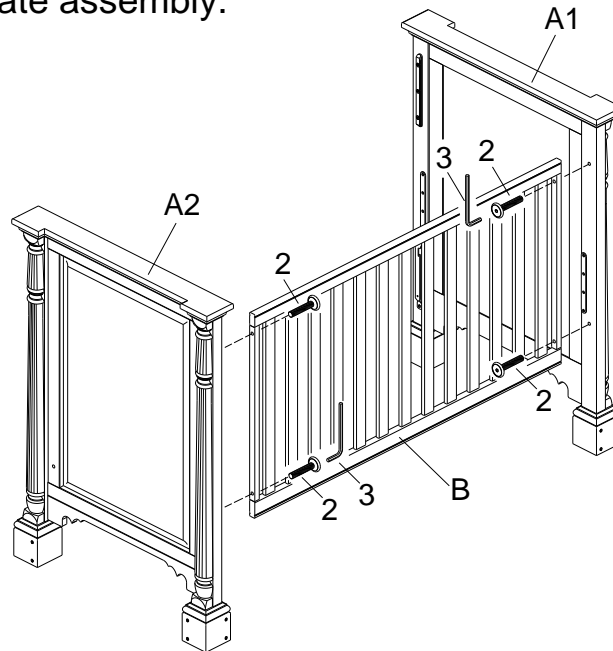
1	 $\varnothing 1/4" \times 2"$	2	 $\varnothing 1/4" \times 1-1/4"$
BOLT 2 PCS		BOLT 4 PCS	
3		4	 $\varnothing 1/4" \times 1/2"$
ALLEN KEY 1 PC		BOLT 16 PCS	
5		6	 $\varnothing 3/16" \times 3/8"$
RUBBER STOPPER 2 PCS		BOLT 2 PCS	

## PARTS LIST

A1		A2	
LEFT END PANEL 1 PC		RIGHT END PANEL 1 PC	
B		C	
STATIONARY SIDE 1 PC		DROP SIDE 1 PC	
D		E	
STABILIZING BAR 1 PC		MATTRESS SUPPORT 1 PC	

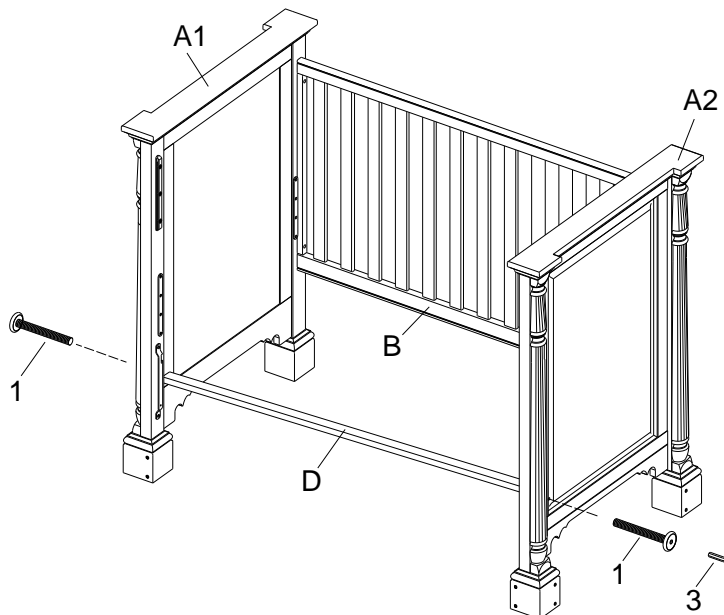
# CLAREMONT SINGLE CRIB

**NOTE:** When inserting bolts, turn clockwise until tight, then loosen 1/2 of a turn. After crib is completely assembled, return to each bolt and tighten. Use wax or soap on all bolts to facilitate assembly.



## STEP 1

Attach left end panel (A1) and right end panel (A2) to stationary side (B) with bolts (2). Use Allen key (3) to tighten bolts.



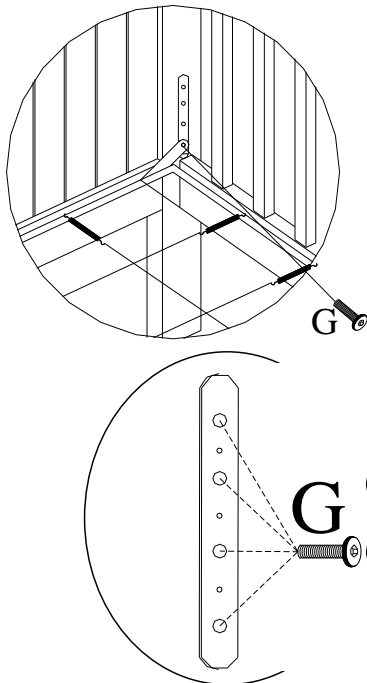
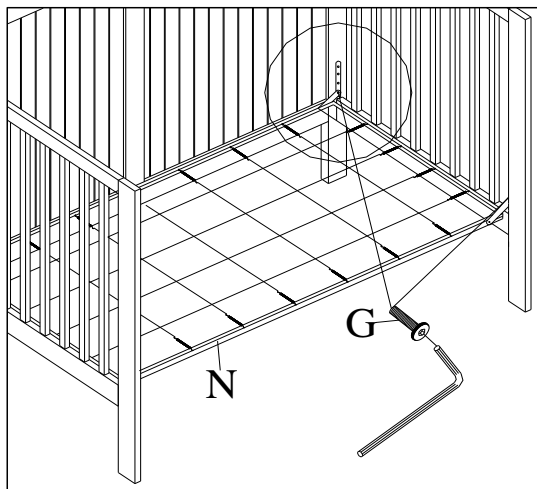
## STEP 2

Attach stabilizing bar (D) to end panels (A1 & A2) with bolts (1). Use Allen wrench (3) to tighten bolts.

# CLAREMONT SINGLE CRIB

## STEP 3:

Attach the mattress support to the 4 corner posts with the mattress support bolts (4). Use Allen Key to tighten bolts. Refer to details 1 and 2 for direction on how to properly attach the mattress support.



**DETAIL 1**

MATTRESS SUPPORT      TAB

**NOTE:** Tabs must always be above the mattress support when installed as shown in detail 1. Do not install the mattress support up side down where the 4 edges are above the wire mesh.

---

**DETAIL 2**

4 POSITION HOLES FOR MATTRESS SUPPORT

BOLT      BOLT      TAB ON MATTRESS SUPPORT

**NOTE:** Please ensure that all the height adjustment holes are filled with appropriate bolts after the mattress support has been moved to the desired level. Make sure that these bolts are tightly secured.



**INCORRECT-**  
Raised edge should face down -this photo shows mattress support is upside down



**INCORRECT-**  
Tabs on corners of mattress support should point up



**CORRECT**

\*Tabs to point UP.

\* Flat surface of mattress support to face up - mattress must sit on flat surface.

# CLAREMONT SINGLE CRIB

## STEP 4

ALIGN AND SLIDE DROP SIDE FROM THE BOTTOM ONTO THE DROP SIDE UPPER AND LOWER TRACKS ON THE LEFT AND RIGHT FRONT POSTS. MAKE SURE THE RELEASE LATCH ON THE LOWER GUIDES IS TO THE OUTSIDE OF THE LOWER DROP SIDE TRACKS (PULL TOWARDS YOU). RAISE DROPSIDE UNTIL IT IS LOCKED INTO PLACE.

**CAUTION: DO NOT FORCE THE DROP SIDE AS YOU MAY BREAK THE LOCKS, GUIDES, OR TRACKS.**

**ATTACH RUBBER STOPPERS BEFORE OPERATING DROP SIDE.**

**Note:** When moving the crib, DO NOT hold it by the drop side, always use the side frames to move the crib. WHEN ASSEMBLING THE DROP SIDE, MAKE SURE THE TEETHING RAIL IS ON THE TOP.

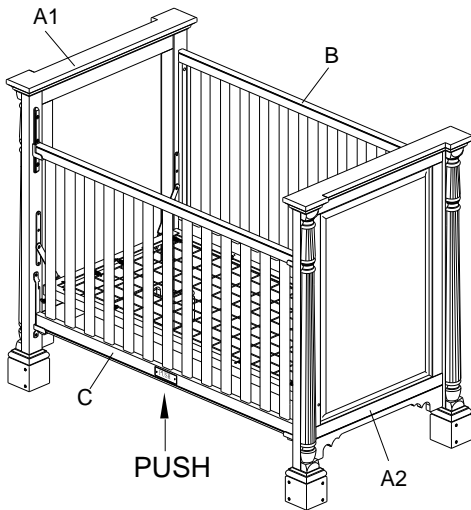
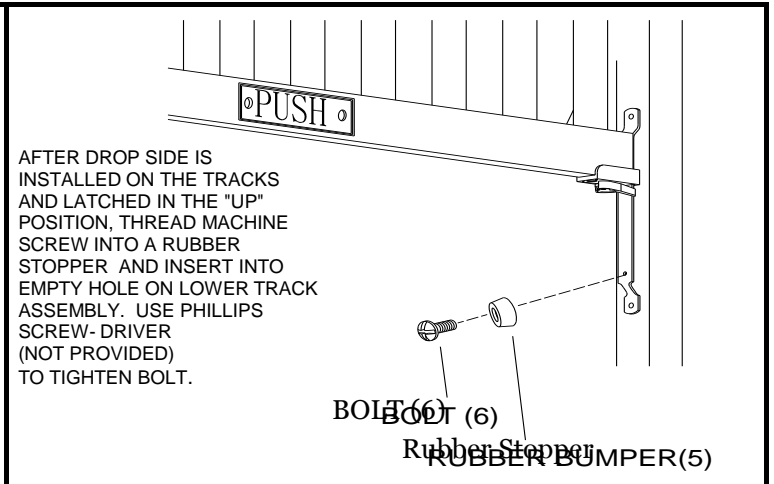
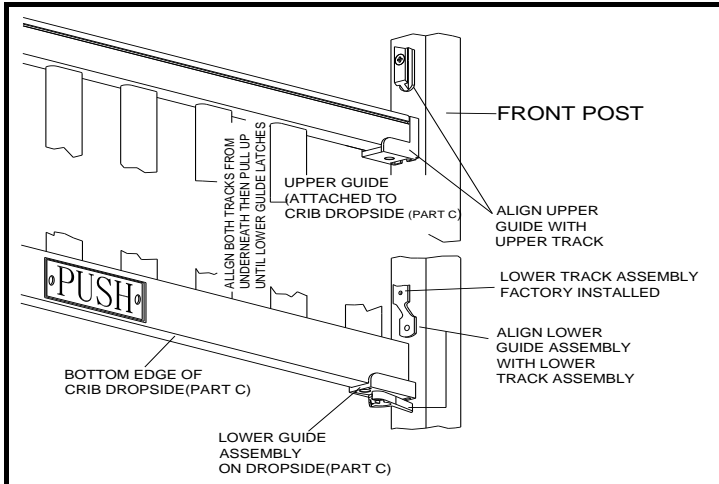


PHOTO A



PHOTO B



The release latch on the lower guides must be on the outside of the lower drop side tracks - pull towards you before sliding onto the track.

This rubber bumper must be installed prior to operating drop side - it will prevent drop side from falling to the floor

**NOTE:** Photos A & B are to demonstrate how the drop side should be installed. The photos of the wood components of the crib may differ from the crib purchased and are for reference only.

## OPERATING INSTRUCTIONS FOR DROP SIDE.

STAND AT THE MIDDLE OF THE DROP SIDE AND HOLD THE TOP RAIL WITH ONE HAND. RAISE THE DROP SIDE SLIGHTLY TO ENABLE YOU TO RELEASE THE LATCH BY PUSHING ON THE DROP SIDE LOWER RAIL WITH YOUR KNEE. THE DROP SIDE WILL NOW LOWER. RAISE THE DROP SIDE AND IT WILL AUTOMATICALLY LOCK AT THE UPPER POSITION.

ALWAYS MAKE SURE DROP SIDE IS PROPERLY SECURED.